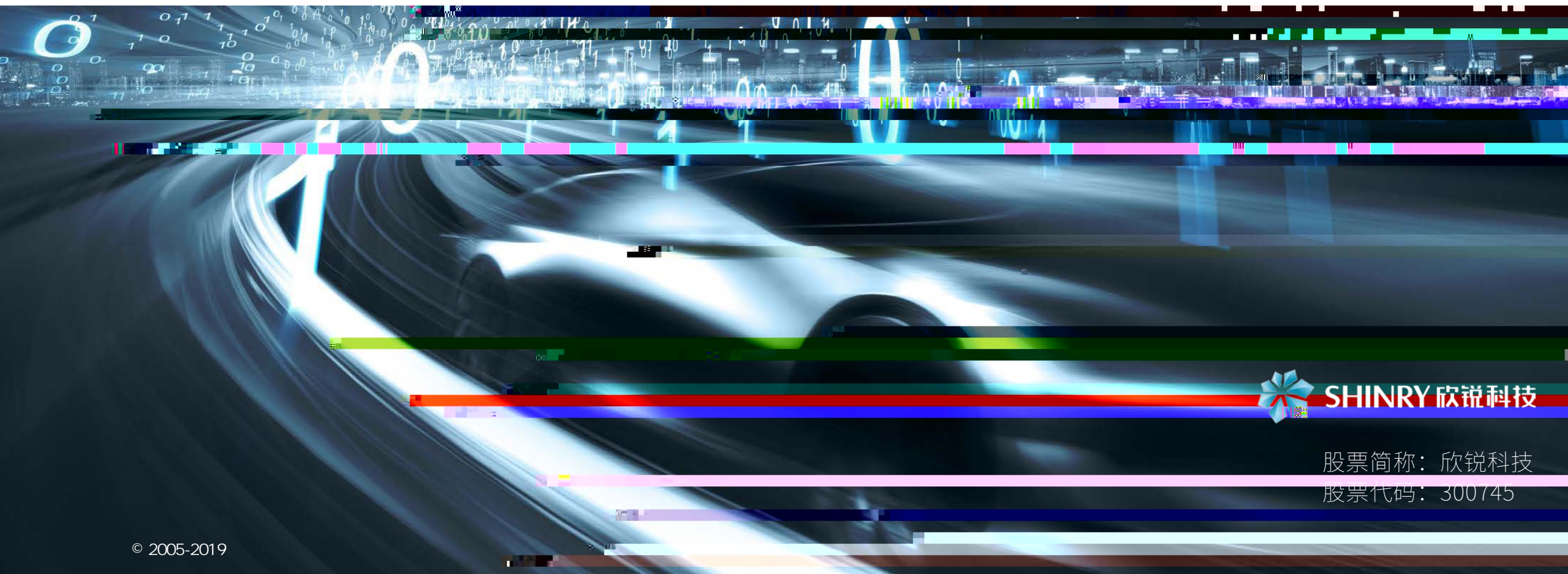


\$"#+ #"

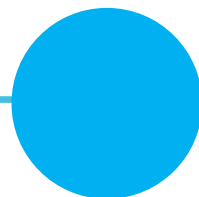
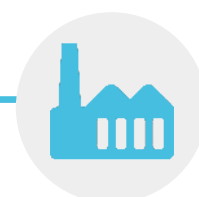
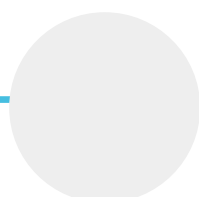
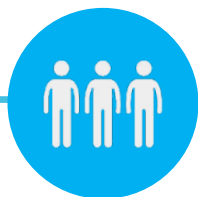
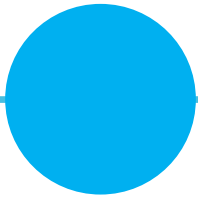


**SHINRY 欣锐科技**

股票简称：欣锐科技  
股票代码：300745

&

2006



# SHINRY 2019

---





	2016	2017	2018
1	46.14%	12%	26.38%
2		"	"
3		"	"
	"	"	"

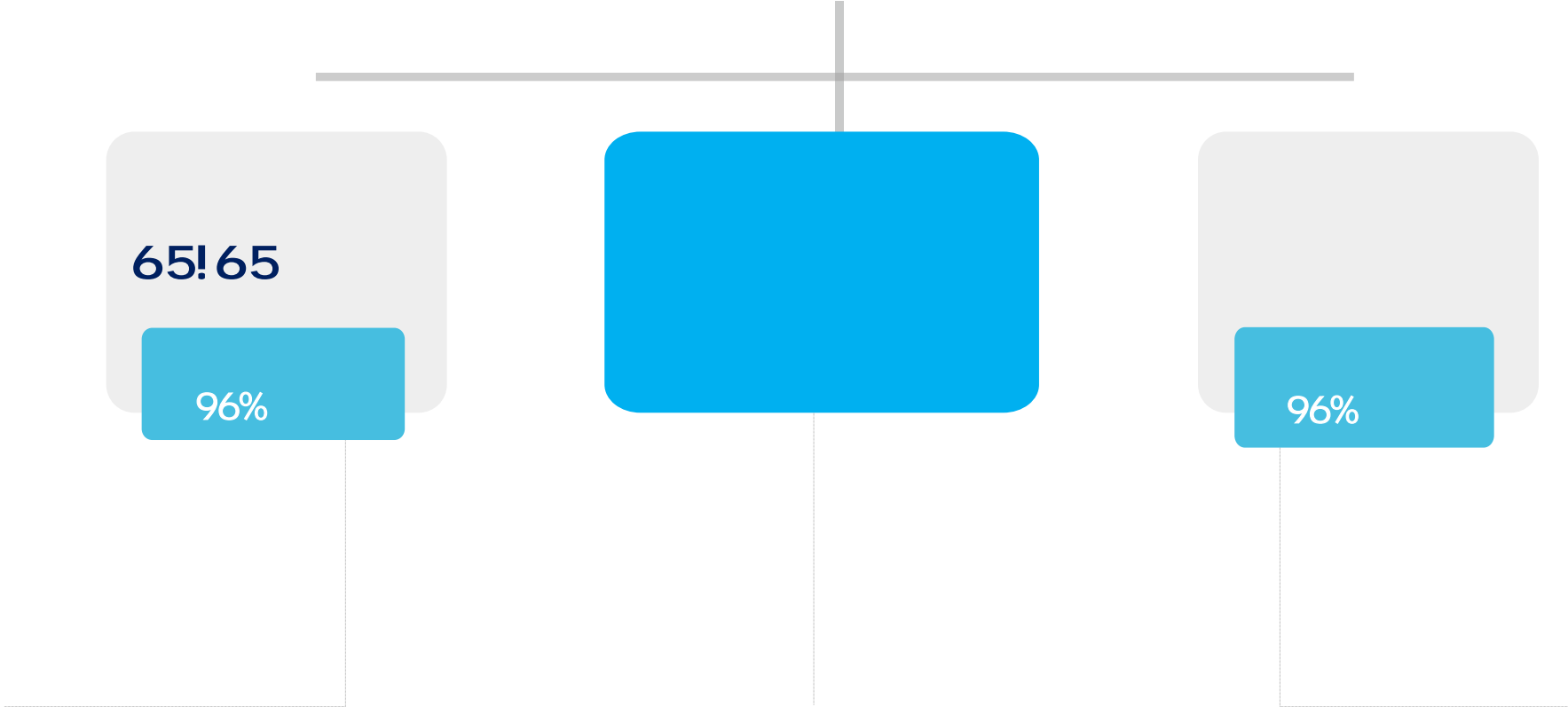


SHINRY

“

”

---



SHINRY

“

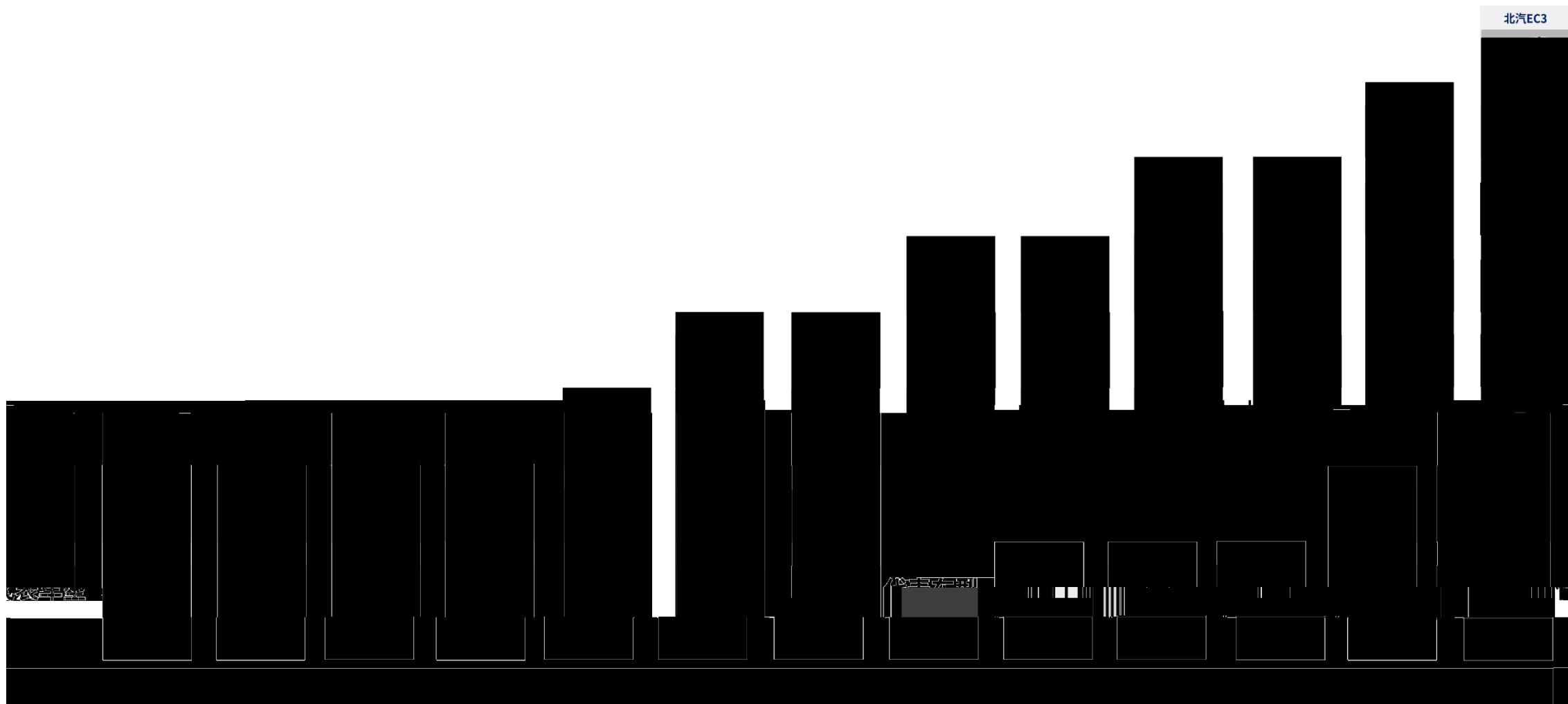
”

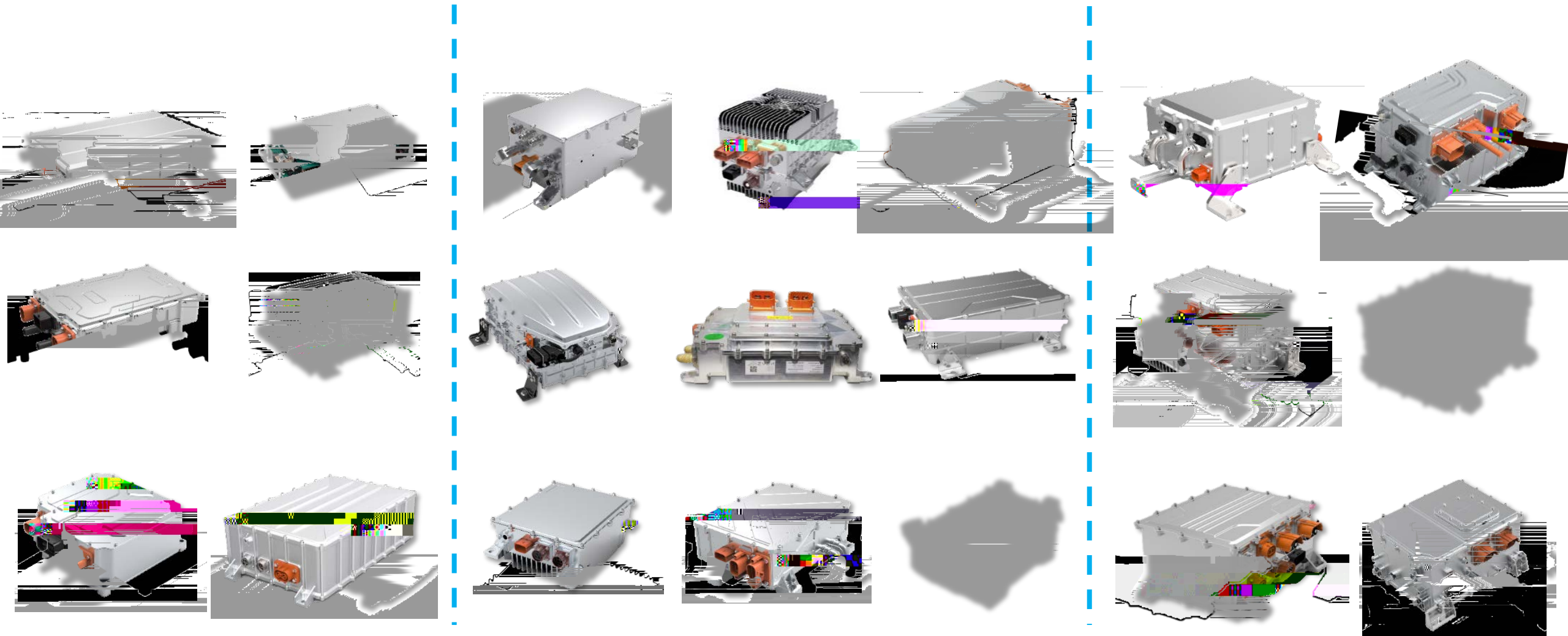
Y

Y

---







---

1 " " " " /

2 " "

3

" " " " " " /



“

”

CDU

---

“

”

# CDU

---

\$" #&

“

”

# CDU

“

”

300

“

”

“

”

“

”

“

”

CDU”

“

SHINRY

CDU”

“

1

2

3

PTC

CDU”

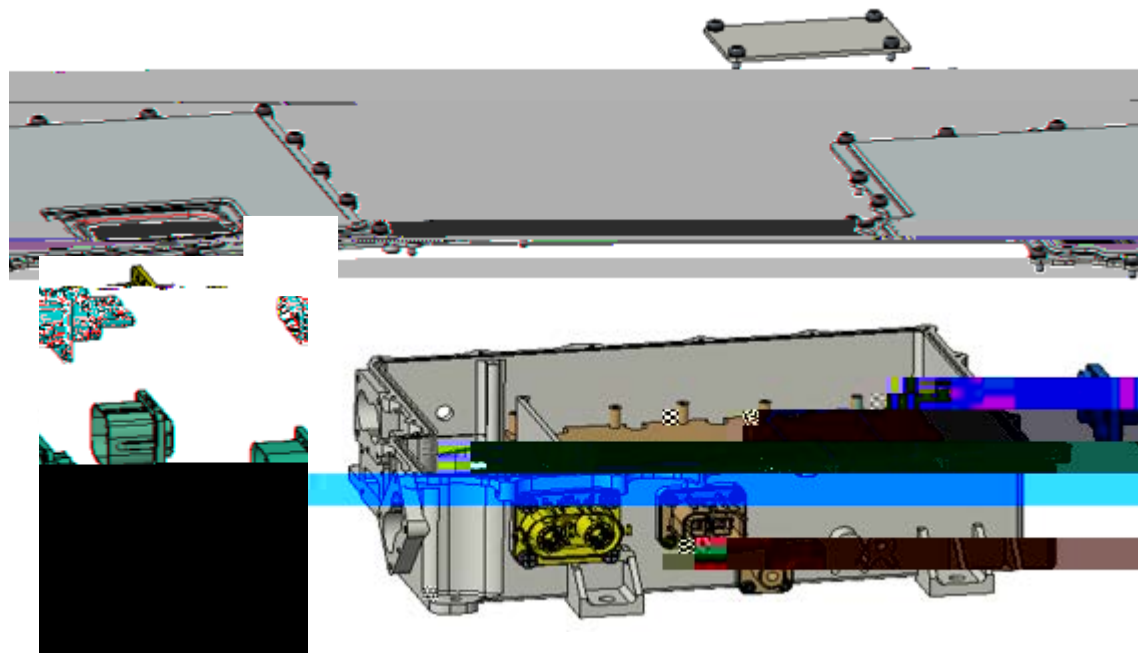
“



97.5

- 
- 1 /
  - 2 BOM 100%
  - 3 BOM " "

CDU"

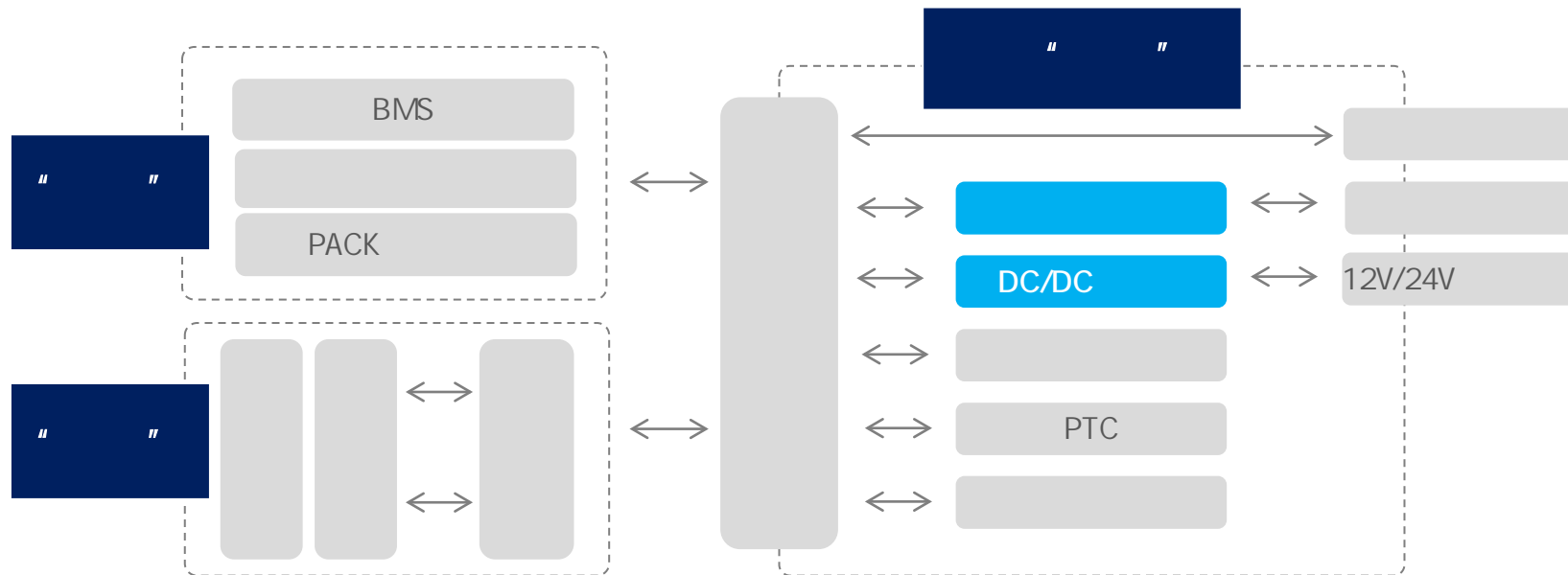


+

PCB EMI

PTC

- 1 /
- 2 BOM 100%
- 3 BOM " "



---

DC/DC

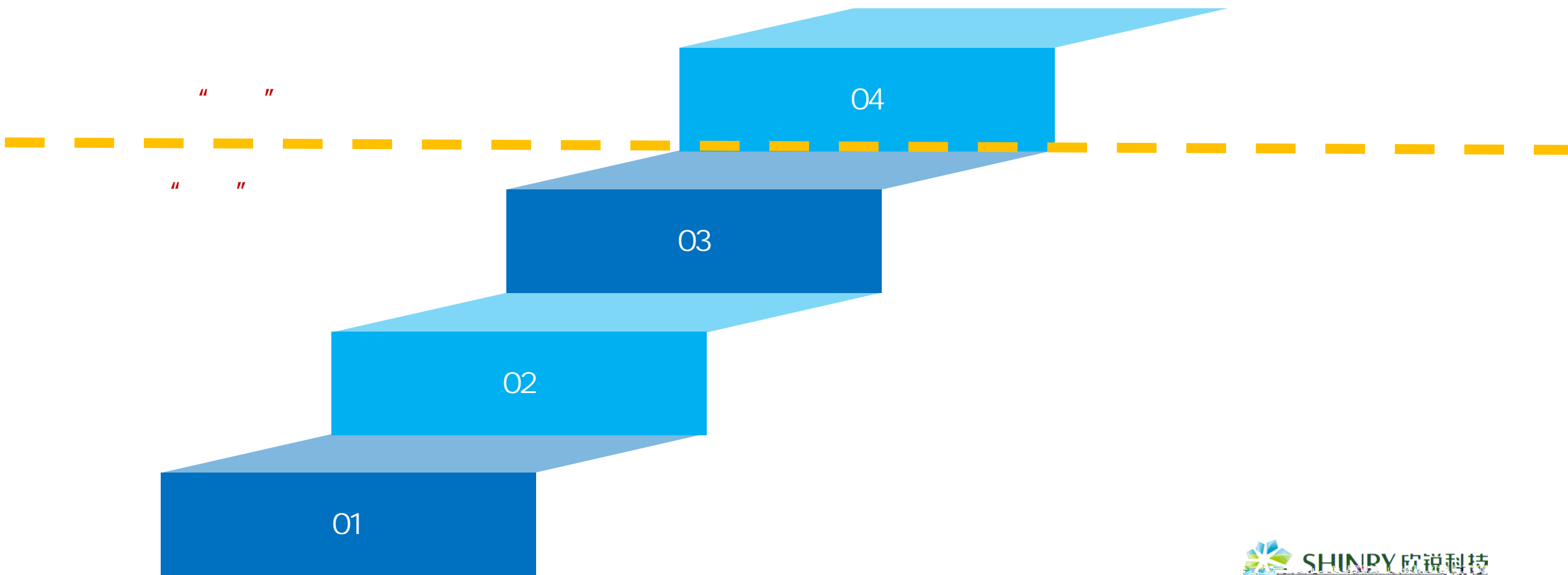


**BOM**

---



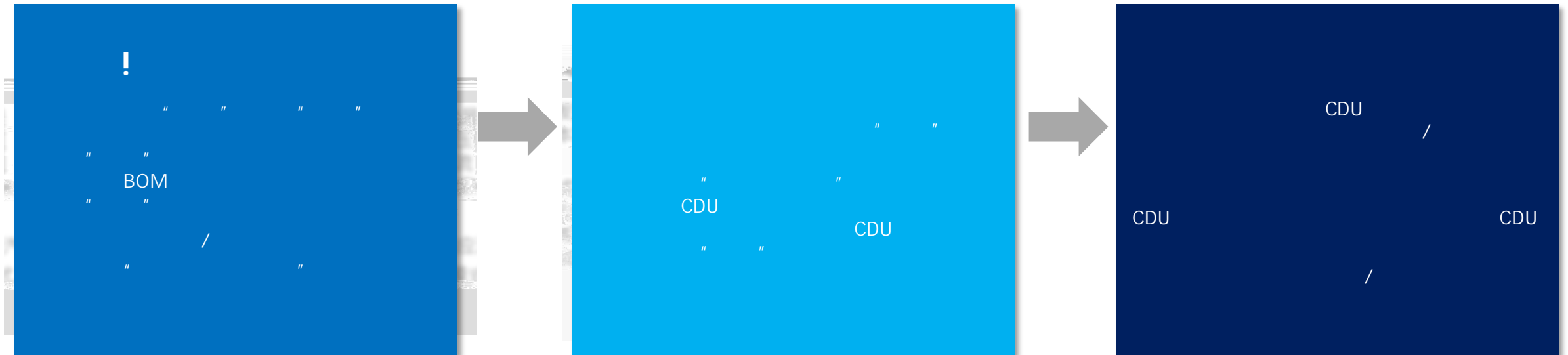
- 1
- 2
- 3 OTA



# BOM

" " " "

" "



---

CDU"

"

1

2

3

PTC

BOM

100%

"

"

"

"

/

